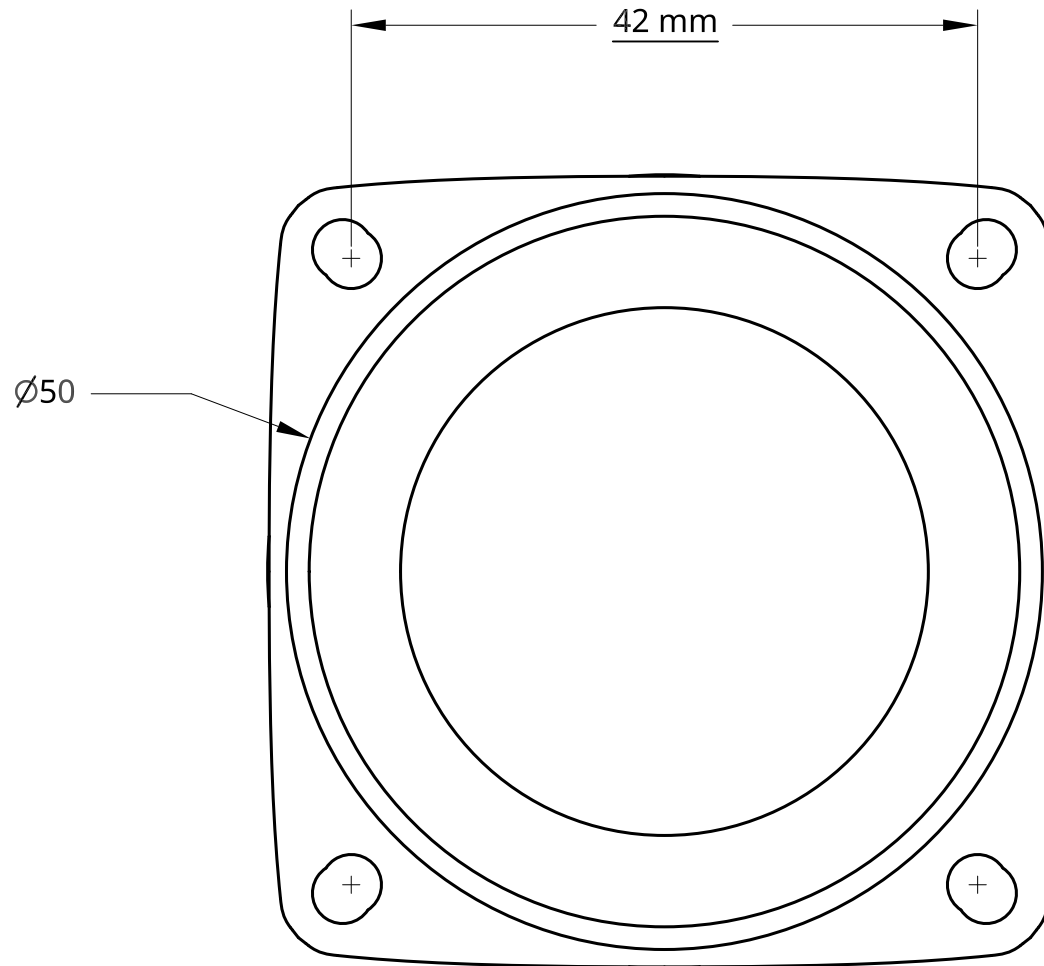


2

1



Ø50

42 mm

B

B

A

A

2

1

UNLESS OTHERWISE SPECIFIED, DIMENSIONS ARE IN INCHES .XX = ±.0- ANGULAR = ± ° .XXX = ±.00- FRACTIONAL = ± .XXXX = ±.000- SURFACE FINISH		NAME	DATE		
	DRAWN	Estelle Bisson	06/20/2018	TITLE	
	CHECKED			----	
	APPROVED	--	--	----	
DO NOT SCALE DRAWING				----	
BREAK ALL SHARP EDGES AND REMOVE BURRS				----	
THIRD ANGLE PROJECTION	MATERIAL	FINISH		SIZE	REV.
				A	-
				DWG NO.	
				SCALE	1 of 1
				2:1	
				WEIGHT	
				SHEET	